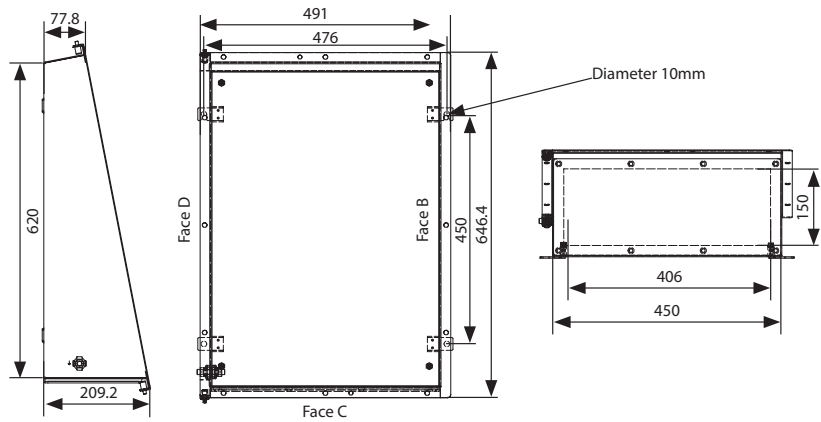




# EA624522

Increased Safety Exe Dual Certified ATEX/ IECEx

International Approvals



The Exe Easy Access range is designed to increase productivity. With its radical sloped face design and cut away sides, the globally certified EA range reduces cost through unparalleled installation and inspection speeds.

## Terminal Capacity

Terminal Type	Conductor Size (mm <sup>2</sup> )		Max Volts	Rail Orientation	Max. Physical Terminal Content			Reduced Terminal Content at Max Amps	
	Min.	Max.			Terminal Qty	Rail Qty	Amps	Terminal Qty	Amps
WDU 2.5	0.5	2.5	690	V H	510 365	5	2 3	14	17
UT 2.5	0.14	2.5	690	V H	510 365	5	2 3	18	15
WDU 4	0.5	4	690	V H	425 305	5	4 4	13	22
UT 4	0.14	4	690	V H	425 305	5	4 4	16	20
WDU 6	0.5	6	690	V H	330 235	5	5 6	12	29
UT6	0.2	6	690	V H	320 230	5	5 6	12	28
WDU 10	1.5	10	690	V H	265 190	5	8 9	10	40
UT 10	0.5	10	690	V H	260 185	5	8 9	11	39
WDU 16	1.5	16	690	V H	215 155	5	10 12	8	53
UT 16	1.5	16	690	V H	215 155	5	10 12	8	53
WDU 35	2.5	35	690	V H	160 115	5	17 20	7	80
UT 35	1.5	35	690	V H	165 120	5	18 21	11	70

\* Max terminals are split across the quantity of terminal rails

## FEATURES

- Enclosure Box size: 476 mm X 646 mm.
- The EA's innovative sloped lid design allows corrosion causing contaminants to naturally spill off.
- All 9 EA sizes follow industry sizes, so you can easily switch out or retrofit your current Enclosure for our EA range.
- Cut away sides provide up to 55% extra space versus competitor enclosures, enabling increased hand access for faster installation.
- Amazing sealing performance is provided by a single piece gasket contained by the enclosure lid

Technical Data	
Ingress Protection	IP66 to IEC/EC 60529; Type 4X
Deluge Protection	DTS01
Material	316 Stainless Steel
Service Temperature	-60°C to +80°C
Temperature Class and Ambient	T6 40°C as standard Optional T5 with ambients up to 65°C For additional options see technical data
ATEX/IECEX	
ATEX/IECEX Protection Class	Ex II 2 GD Ex eb IIC Gb; Ex tb IIIC Db
ATEX Certificate No	Baseefa08ATEX0208X Baseefa08ATEX0207U (ZEA)
IECEX Certificate Number	IECEX BAS 08.0065X IECEX BAS 08.0064U (ZEA)
Construction & Test Standards	IEC/EN 60079-0, IEC/EN 60079-7 and IEC/EN 60079-31
Marine Approvals	ABS: 17-LD1653735-PDA
Additional Certifications	EAC: RU C-GB.AA87.B.00430 Inmetro: IEx 16.0144X PESO: P457339
CSA	
NEC Protection Class	Class 1 Div 2 ABCD Class I, Zone 1, AEx e IIC Gb Zone 21, AEx tb IIIC T80°C Db
CEC Protection Class	Ex e IIC Gb Ex tb IIIC T80°C Db
c CSA us Certificate	70039997
Construction & Test Standards	UL 50E, UL12.12.01, UL/CSA-C22.2 60079-0, UL/CSA-C22.2 60079-7, UL/CSA-C22.2 60079-31, CSA-C22.2 No. 94-M91, CSA-C22.2 No. 14-M91

Maximum Quantity of Entries Per Face								
Thread Size	M16	M20	M25	M32	M40	M50	M63	M75
Face B	54	34	24	13	9	5	3	2
Face C (Gland Plate)	65	44	28	18	12	10	5	3
Face D	51	30	21	13	8	5	3	2

CAUTION: Entry quantities are calculated based on standard gland diameters. Entry quantity may be affected if using accessories (locknuts, washers etc) with large diameters.